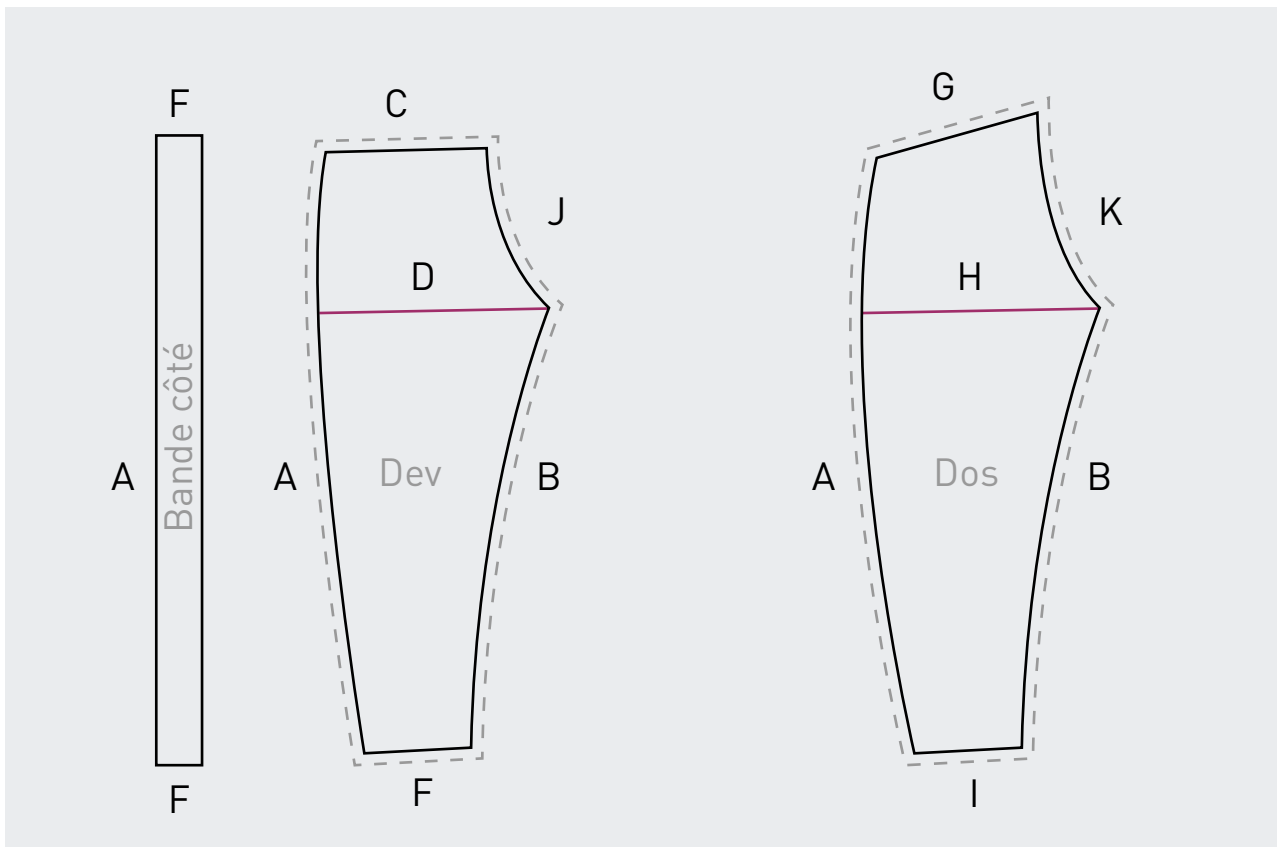
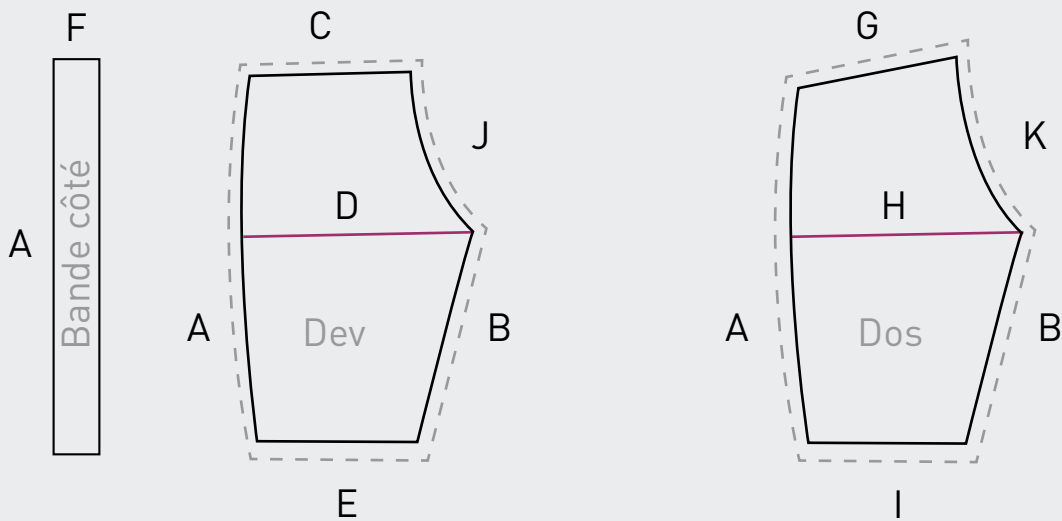


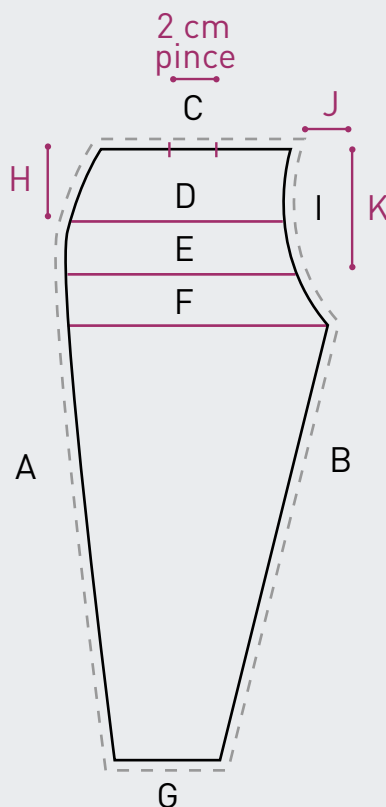
	A	B	C	D	E	F	G	H	I	J	K
2	79.65	54.4	20.15	23.12	12.15	6	20.7	31.4	16.5	26.5	36.25
4	84.6	58.4	21.15	24.22	13.15	6	21.7	32.5	17.5	27.5	36.9
6	89.6	62.4	22.15	25.32	14.15	6	22.7	33.6	18.5	28.5	37.6
8	94.6	66.4	23.15	26.42	15.15	6	23.7	34.7	19.5	29.5	38.8
10	99.6	70.4	24.15	27.52	16.15	6	24.7	35.8	20.5	30.5	40
12	104.6	74.3	25.15	28.62	17.15	6	25.7	36.9	21.5	31.5	41.1
14	109.6	78.3	26.15	29.72	18.15	6	26.7	38	22.5	32.5	42.25
16	114.6	82.3	27.15	30.82	19.15	6	27.7	39.1	23.5	33.5	43.4
S	119.6	86.3	28.15	31.87	19.45	6	28.7	40.15	24.5	34.5	44.5
M	120.6	86.3	29.15	32.92	20.15	6	29.7	41.2	24.5	35.5	45.6
L	121.6	86.4	30.15	33.97	20.15	6	30.7	42.25	24.5	36.5	47
XL	122.6	86.45	31.15	35	20.15	6	31.7	43.3	24.5	37.5	48.3
2XL	123.6	86.5	32.15	36	20.15	6	32.7	44.35	24.5	38.5	49.7
3XL	124.7	86.55	33.15	37.1	20.15	6	33.7	45.4	24.5	39.5	51.1
4XL	125.7	86.6	34.15	38.15	20.15	6	34.7	46.45	24.5	40.5	52.5
5XL	126.8	86.7	35.15	39.2	20.15	6	35.7	47.5	24.5	41.5	53.9



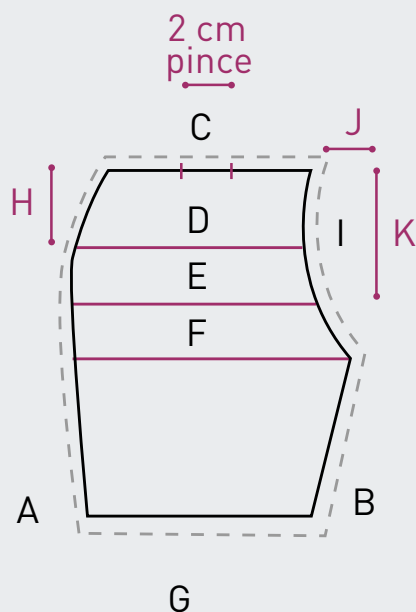
	A	B	C	D	E	F	G	H	I	J	K
2	44.1	18.9	20.15	23.12	19.4	6	20.7	31.4	26.25	26.5	36.25
4	47.85	21.6	21.15	24.22	20.44	6	21.7	32.5	27.15	27.5	36.9
6	51.6	24.3	22.15	25.32	21.48	6	22.7	33.6	28	28.5	37.6
8	55.3	27	23.15	26.42	22.48	6	23.7	34.7	28.9	29.5	38.8
10	59	29.75	24.15	27.52	23.42	6	24.7	35.8	29.7	30.5	40
12	62.8	32.5	25.15	28.62	24.35	6	25.7	36.9	30.5	31.5	41.1
14	66.5	35.2	26.15	29.72	25.3	6	26.7	38	31.35	32.5	42.25
16	70.25	38	27.15	30.82	26.2	6	27.7	39.1	32.15	33.5	43.4
S	73.15	39.8	28.15	31.87	26.85	6	28.7	40.15	32.75	34.5	44.5
M	74.15	39.8	29.15	32.92	27.9	6	29.7	41.2	33.8	35.5	45.6
L	75.15	39.85	30.15	33.97	29.5	6	30.7	42.25	34.4	36.5	47
XL	76.2	39.85	31.15	35	29.1	6	31.7	43.3	35	37.5	48.3
2XL	77.2	39.9	32.15	36	29.7	6	32.7	44.35	35.6	38.5	49.7
3XL	78.2	39.9	33.15	37.1	30.3	6	33.7	45.4	36.2	39.5	51.1
4XL	79.25	40	34.15	38.15	30.9	6	34.7	46.45	36.8	40.5	52.5
5XL	80.25	40	35.15	39.2	31.5	6	35.7	47.5	37.4	41.5	53.9



	A	B	C	D	E	F	G	H	I	J	K
2	66.7	49.8	20	23.8	19.9	22.15	15	13.25	17	4.5	12.3
4	72.5	54.4	21	25.25	21.5	24.15	16.4	13.7	18.5	4.5	13.5
6	78.4	59	22	26.65	23.1	26.15	17.8	14.2	20.25	4.5	14.5
8	83.4	63	22.7	27.5	23.95	27.25	18.5	14.7	21.25	4.5	14.7
10	88.5	67	23.5	28.3	24.85	28.4	19	15.2	22.3	4.5	15
12	93.15	71.1	24.2	29.15	25.7	29.5	19.7	15.7	23.3	4.5	15.5
14	98.5	75.15	24.7	29.8	26.4	30.6	20.35	16.2	24.4	4.5	16
16	103.5	79.2	25.15	30.45	27.15	31.7	21	16.2	25.6	4.5	16.5
S	108.5	83.2	26.15	31.5	28.1	32.8	21.7	16.75	26.7	4.5	17.3
M	109.5	83.3	27.15	32.5	29.05	33.7	22.1	17	27.7	4.5	18.3
L	110.7	83.35	27.15	33.5	30	34.6	22.5	17.25	28.7	4.5	19.3
XL	111.77	83.4	29.15	34.5	31	35.5	22.95	17.5	29.7	4.5	20.3
2XL	112.8	83.45	30.15	35.5	32	36.4	23.18	17.75	30.7	4.5	21.3
3XL	113.9	83.5	31.15	36.5	33	37.2	23.4	18	31.7	4.5	22.3
4XL	114.95	83.55	32.15	37.5	34	38	23.6	18.25	32.7	4.5	23.3
5XL	116	83.6	33.15	38.5	35	38.9	23.8	18.5	33.7	4.5	24.3



	A	B	C	D	E	F	G	H	I	J	K
2	35.7	19.15	20	23.8	19.9	22.15	17.18	13.25	17	4.5	12.3
4	42.7	25	21	25.25	21.5	24.15	18.6	13.7	18.5	4.5	13.5
6	49	29.8	22	26.65	23.1	26.15	20.15	14.2	20.25	4.5	14.5
8	51.5	33.8	22.7	27.5	23.95	27.25	21	14.7	21.25	4.5	14.7
10	59	37.7	23.5	28.3	24.85	28.4	21.8	15.2	22.3	4.5	15
12	64	41.6	24.2	29.15	25.7	29.5	22.7	15.7	23.3	4.5	15.5
14	69	45.7	24.7	29.8	26.4	30.6	23.5	16.2	24.4	4.5	16
16	74	49.7	25.15	30.45	27.15	31.7	24.4	16.2	25.6	4.5	16.5
S	79	53.6	26.15	31.5	28.1	32.8	25.25	16.75	26.7	4.5	17.3
M	80	53.65	27.15	32.5	29.05	33.7	25.9	17	27.7	4.5	18.3
L	81	53.7	27.15	33.5	30	34.6	26.5	17.25	28.7	4.5	19.3
XL	82	53.75	29.15	34.5	31	35.5	27	17.5	29.7	4.5	20.3
2XL	83	53.8	30.15	35.5	32	36.4	27.5	17.75	30.7	4.5	21.3
3XL	84	53.85	31.15	36.5	33	37.2	28	18	31.7	4.5	22.3
4XL	85	53.9	32.15	37.5	34	38	28.5	18.25	32.7	4.5	23.3
5XL	86	53.95	33.15	38.5	35	38.9	29	18.5	33.7	4.5	24.3



DOS										
	A	B	C	D	E	F	G	H	I	
0	52.2	54.1	51.2	38	24.4	30	33.2	9.4	16	
1	55.6	57.8	54.95	40	25.4	31	34.2	10.2	17	
2	59	61.6	58.7	42	26.4	32	35.2	10.9	19	
4	63.5	66.1	63.2	46	27.4	33	36.2	11.6	19.5	
6	68	70.6	67.7	50	28.4	34	37.2	12.3	20	
8	72.5	75.1	72.2	54	29.4	35	38.2	13	20.4	
10	77	79.6	76.7	58	30.4	36	39.2	14	20.9	

DEVANT-MANCHE											
	J	K	L	M	N	O	P	Q	R	S	T
0	47.8	29	40	44.3	28.8	18.5	29.3	23	37.7	22	10
1	51.6	31	42	46.3	31.3	21	31.3	23.6	39.3	22.5	10
2	55.3	33	45	48.3	33.8	23.7	33.3	24	40.9	23	10
4	59.8	35	46	50.3	37.2	26.65	34.3	25	42.1	24	10
6	64.3	37	48	52.3	40.6	29.6	35	25.9	43.2	25	10
8	68.8	39	50	54.3	44	32.6	35.9	26.7	44.25	26	10
10	73.3	41	52	56.3	47.4	35.5	36.7	27.5	45.35	27	10

